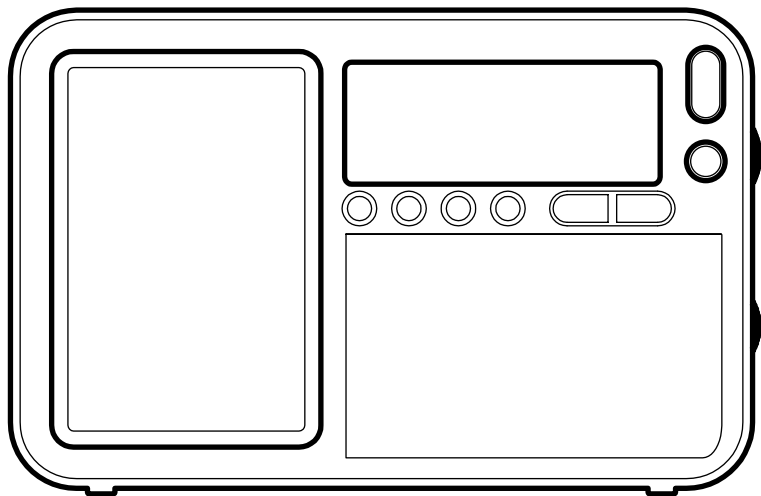


TRAVELER III

The Go Anywhere, Hear Everything AM/FM/LW
and Shortwave Radio



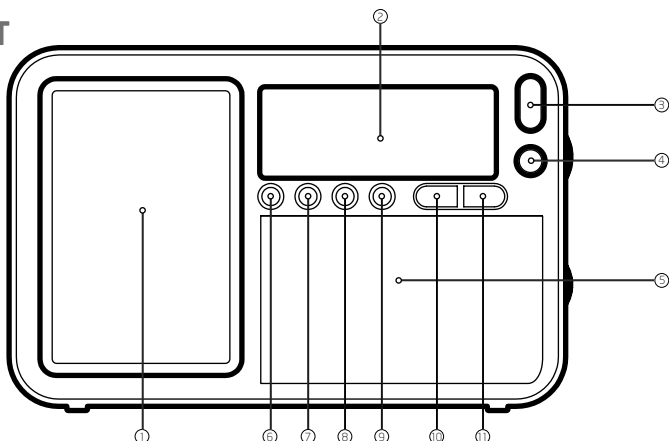
OWNER'S MANUAL

etn
EMPOWERED BY NATURE

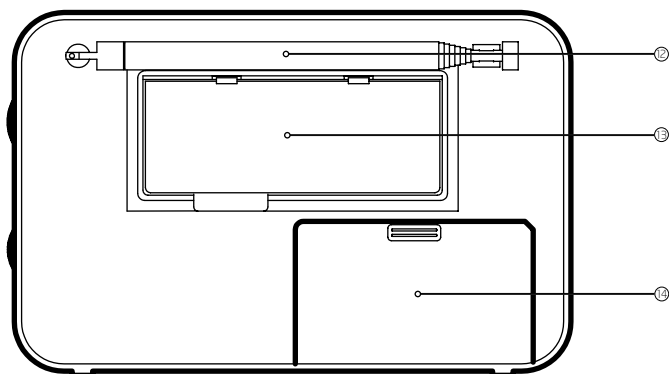
MEET THE TRAVELER III

Thank you for purchasing the Etón **Traveler III**. We want you to thoroughly enjoy the use of this product. To take advantage of its many excellent and unique features, we urge you to carefully read the user's manual.

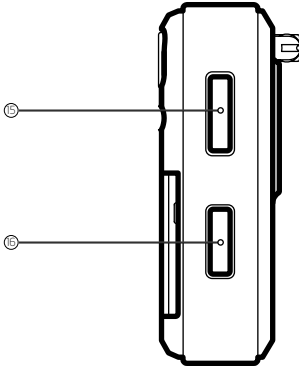
FRONT



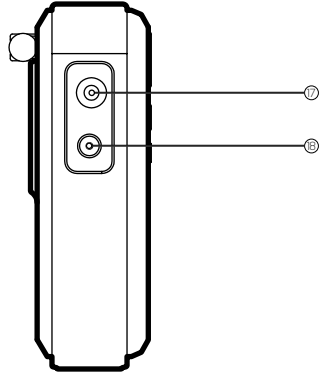
BACK



RIGHT SIDE




LEFT SIDE



Features:

- ① Speaker grill
- ② LCD panel
- ③ Power/sleep button
- ④ DISPLAY Mode/Lock button
- ⑤ G.M.T. cover
- ⑥ Up button
- ⑦ Down button
- ⑧ AM/Lw button
- ⑨ FM/RDS button
- ⑩ Snooze/Light button
- ⑪ Step button
- ⑫ Whip Antenna
- ⑬ Back Stand
- ⑭ Battery compartment
- ⑮ Tuning dial
- ⑯ Volume knob
- ⑰ Earphone jack
- ⑱ DC jack

POWER/SLEEP BUTTON

1. Short press to turn on radio and press again to turn off
2. Long press this button, the  icon flashes in the LCD. Rotate "Tuning" knob to select the desired auto shut-down time with 1~120 minutes.
3. Select "ON" indicates the radio will be on all the time.

Note: If the alarm is ringing, quick press this button to shut down alarm function.

DISPLAY MODE/LOCK BUTTON



Quick press to display Alarm, temperature, local/world time, signal strength, S/N ratio



Long press: lock/unlock buttons and tuning knob

VF/VM FREQUENCY/ADDRESS, TUNING STEP BUTTON

With the radio on:

Quick press: Switch between frequency or address. When Switching to Frequency, the "tuning" will flash; When switching to address, the "Preset" will flash.

Long press to change tuning step fast or slow,  icon indicates slow step,  icon indicates fast step.

Band	 Slow Step		 Fast Step	
	Slow tuning knob	Fast tuning knob	Slow tuning knob	Fast tuning knob
FM	0.01MHZ	0.1MHZ	0.1MHZ	1MHZ
LW	1KHZ	3KHZ	3KHZ	100KHZ
MW	1KHZ	9/10KHZ	9/10KHZ	100KHZ
SW	1KHZ	5KHZ	5KHZ	100KHZ

HOME BUTTON

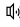


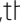

Rotate "time zone indicator knob" to your city.

Long press "HOME" button,the hour will flash, rotate tuning knob to change hour.

Short press Home button,the minute will flash,rotate tuning knob to change minute. Quick press again to confirm local time.

ALARM - SETTING UP ALARM TIMER

The setting method is the same as local time setting,only the difference is that the user needs to re-press ALARM button after re-set alarm,then tune up TUNING knob to set up auto-power off timer with the range of 1~90 minutes.

- Alarm method selection  , Quick press ALARM button without alarm timer setting. If  icon flashes to activate alarm to radio feature.
- With the radio on, firstly search your desired station which is used for your favorite station for alarm,also set up the suitable volume.
- Long press ALARM button,when the user heard a "Beep" sound,also  icon flashes,the user can set up alarm by this station. If the alarm is up,the unit will power on automatically and receive preset station,then it will shut down automatically when it reaches the desired time. During the listening, if the alarm is on,the unit will switch to preset station automatically. If  icon flashes indicates alarm by buzzer, the following feature is new:
- If the user is not familiar with local station frequency and play time, suggest to use alarm by buzzer. If the alarm is up, the unit will have "Beep-Beep" sound and it will shut down with the preset time automatically.

- If the above icons don't be displayed, which indicates the alarm is off.

Note: Alarm timer matches the time of the indicator of time zone. If the user sets up the alarm is on at 7:00 a.m., and the time of time zone indicator will be New York time, the unit will be alarmed at 7:00 a.m. of New York time.

LIGHT/SNOOZE BUTTON

Quick press [Light/Snooze] button to select brightness level (OFF-LOW-High)

If no operation, the brightness of backlight will light up your selected level or turn off backlight in 10 minutes. If the backlight is off, when the user operate any button, quick press to light up the backlight in the first time, quick press again means button operation.

SNOOZE FUNCTION:

The alarm is on, quick press Light/snooze button to shut down alarm temporarily, the alarm will ring after 10 minutes. So the snooze function can repeat 3 times. For alarm ringing in the 4th time, press Light/Snooze button again to shut down alarm.

SHORTWAVE BAND/ AUTO DISPLAY BUTTON

With the radio on:

- Quick press [▲] or [▼] button to select SW band
- Continuously quick press [▲] or [▼] button to select SW meter band
- In Frequency auto-search status: long press [▲] or [▼] button to auto-display station

- In address search status, long press [▲] or [▼] button to auto-display preset stations

AM/LW BAND/ATS BUTTON

With the radio on:

- Quick press [AM/LW] button select AM(MW) or LW band
- Long press [AM/LW] button to auto tuning storage AM(MW) or LW band

FM RDS /ATS BUTTON

With the radio on:

- Quick press FM/RDS button to select FM band
- Long press FM RDS button to proceed with ATS function

RDS INFORMATION DISPLAY

In FM band, quick press FM RDS button to display different RDS information in cycle.

If any RDS information in the LCD,  icon will be displayed.

Quick press FM RDS button to display :PS/PTY/RT/DATA

PS : program name if no station, just display NO PS

PTY: Program type if no program, just display NO PTY

RT: Program text if no text, just display NO RT

DATA: Time/Date/Weekly program call sign information, if no any information, just display NO DATA

If any information available, just display format is:

NORTH AMERICA:

Station Callsign	Weekday (MON, TUE, WED, THU, FRI, SAT, SUN)	Mon-Day-Year	Hour:Minute
WGSS	TUE	03-25-2014	02:15

INTL:

Station Callsign	Weekday (MON, TUE, WED, THU, FRI, SAT, SUN)	Mon,Day,Year	Hour:Minute
WGSS	TUE	Mar,25,2014	02:15

Note: If no station callsign, then display PI CODE of current station.

MEMORY BUTTON

With the radio on:

When pick up the station,quick press Memory button,then **L-PRESET** will flash.

Rotate TUNING knob to find the preset address and quick press Memory button again to confirm preset.

QUICK PRESS [▲] OR [▼] BUTTON AND MEMORY PRESET BUTTON

Use ATS function to fast preset stations

1. When auto scan frequency, long press [▲] or [▼] button to auto scan station.

2. When pick up your favorite station,just quick press MEMORY button once to save this station,and then auto scan other stations.

DELETE BUTTON

Delete one station

With the radio on:

1. In address scan status,long press [delete] button, **L-PRESET** icon will flash, also "PXX DEL " will flash in the LCD (XX indicates preset address);
2. Release this button,rotate Tuning button to find your desired deleted address and frequency.
3. Quick press [DELETE] button to confirm delete.

Delete all stations

With the radio off:

Long press [delete] button for 2 seconds until the LCD displays "ALL DEL" flashing, release this button and quick press this button again to delete all preset stations.

With the radio on:

In address search status,long press [delete] for 2 seconds until LCD displays "ALL DEL" flashing,release this button then quick press [delete]button to delete all stations.

Quick press [▲] or [▼] button and DELETE button:

1. In address search status,long press [▲] or [▼] button to enter into auto presets station;

2. When the user finds unfavorite stations,just quick press DELETE button to delete it then check the next one.

RESET BUTTON

Use a toothstick or other sharp stick to press RESET button to reset the unit completely when the unit malfunction or down.

DST

If the user wants to use summer time, then the time will be 1 hour in advance. i.e.“DST” =daytime summer time

TIME INDICATOR KNOB

After set up local time,rotate Time Indicator Knob, if the indicator is at your desired time zone,the LCD will display the time of Time Zone.

- TUNING + KNOB

Rotate this knob to adjust time,frequency and preset address

When set up time, the user can use HOME or ALARM button to set up clock

Rotate this knob to change frequency when tuning

Rotate this knob to select the preset address in preset address mode.

- VOLUME + KNOB

Rotate this knob to change volume up or down.

Earphone Jack: 3.5mm

DC Jack

System setting

1. Set up MW step

With the radio off, long press [9/10k] button, the LCD will display AM-10K, which means MW step -10K; AM-9K means MW step -9K.

Note: When MW step is 10K, temperature display format is Fahrenheit, when MW step is 9k, temperature display format is Celsius

2. Set up FM frequency range

With the radio off, long press FM SET and then release it, quick press to select FM frequency range as under:

87.5-108MHz

87.0-108MHz

64.0~108MHZ

76.0~108MHZ

3. Turn on or off LW band

With the radio off, long press AM/LW button, the LCD displays "LW ON", which means LW is on. VS LOW OFF

4. Turn on or off buzzer

With the radio off, long press SNOOZE/LIGHT button, the LCD displays Beep on, means beep is activated, VS Beep off

SPECIFICATIONS

1. Supported Frequencies:

	US/CAN/MEX	INTL
FM:	87 - 108 MHz	64 - 108 MHz
AM(MW):	520 - 1710 kHz	522 - 1620 kHz
LW:	153 - 513 kHz	153 - 513 kHz
SW1:	2.3 - 26.1 MHz	2.3 - 26.1 MHz
DAB:		174.928 - 239.200 MHz

2. Noise Limited Sensitivity:

FM $\leq 3\mu\text{v}$

MW $\leq 1\text{mv/m}$

SW $\leq 10\text{mv/m}$

LW $\leq 18\mu\text{v}$

3. Speaker: 50mm 8ohm 0.5W

4. Earphone: D 3.5mm

5. Power Supply:

Batteries: 4 x AA size (4x1.5V)

DC: 6V

6. Dimension: 135(L)x87(H)x27(D)mm

7. Weight: approx 213g (excluding batteries)

NEED HELP? CONTACT US.

Etón Corporation

1015 Corporation Way, Palo Alto, CA 94303, USA 1-800-872-2228

(U.S.)

1-800-637-1648 (Canada)

650-903-3866 (worldwide)

M-F, 8:00AM-4:30PM, Pacific Standard Time

www.etoncorp.com

WARNING

- Do not expose this appliance to rain or moisture.
- Do not submerge or expose for extended period to water.
- Protect from high humidity and rain.
- Only operate within specified temperature range (0 °C to 40 °C).
- Unplug or remove batteries immediately if liquid has been spilled or any object has fallen into the apparatus.
- Clean only with a dry cloth. Do not use detergents or chemical solvents as this might damage the finish.
- Do not remove cover [or back].
- Refer servicing to qualified service personnel.

ENVIRONMENT

FC CE 

Disposal

According to the European Directive 2002/96/EC all electrical and electronic products must be collected separately by a local collection system.

Please act according to your local rules and do not dispose of your old products with your normal household waste.

Please dispose of all types of batteries per your Government, State or Local rules and/or regulations. If you are unsure, please call the

appropriate local authority to find out how to dispose of them safely and help protect the environment.

WARRANTY REGISTRATION

To ensure full warranty coverage or product updates, registration of your product should be completed as soon as possible after purchase or receipt.

Please go to

<http://www.etoncorp.com/productregistration> to register your product.

LIMITED WARRANTY

Retain your proof of purchase or the receipt. Limited Warranty information can be viewed at www.etoncorp.com in the Support section.

SERVICE FOR YOUR PRODUCT

To obtain service for your product, we recommend first contacting an Etón service representative at 800-872-2228 US, 800-637-1648 Canada or (650) 903-3866 for problem determination and trouble-shooting. If further service is required, the technical staff

will instruct how to proceed based on whether the radio is still under warranty or needs non-warranty service.

WARRANTY

If your product is still in warranty and the Etón service representative determines that warranty service is needed, a return authorization will be issued and instructions for shipment to an authorized warranty repair facility. Do not ship your radio back without obtaining the return authorization number.

NON-WARRANTY

If your product is no longer under warranty and requires service our technical staff will refer you to the nearest repair facility that will be able to best handle the repair.

For service outside of North America, please refer to the distributor information included at time of purchase/receipt.



Etón Corporation

Corporate Headquarters
1015 Corporation Way
Palo Alto, California 94303 USA
tel +1 650-903-3866
tel +1 800-872-2228
fax +1 650-903-3867

Etón Canada

5580 Explorer Drive, Suite 503
Mississauga, Ontario L4W 4Y1 Canada
tel +1 416-214-6885
tel +1 800-637-1648
fax +1 416-214-6886

www.etoncorp.com