

» PERFECTPRO

ROCK•SOLID®
» PERFECTPRO

INSTRUCTION MANUAL **GB**
MANUEL DE L'UTILISATEUR **F**
GEBRUIKSAANWIJZING **NL**
BEDIENUNGSANLEITUNG **D**

CONTENTS

IMPORTANT SAFETY INSTRUCTIONS	2
CONTROLS	3
POWER SUPPLY	5
FM RADIO MODE	6
AUX-IN MODE	8
LOUDNESS AND TONE CONTROL	8
TIME AND DATE SETTINGS	9
ALARM SETTINGS	10
LANGUAGE SETTINGS	10
METAL TELESCOPIC ANTENNA	11
BACKLIGHT	11
WARRANTY	11
SPECIFICATIONS	12

WARNING ! WARRANTY BECOMES VOID ONCE THE DEVICE CABINET HAS BEEN OPENED OR ANY MODIFICATIONS TO THE ORIGINAL DEVICE HAVE BEEN MADE!

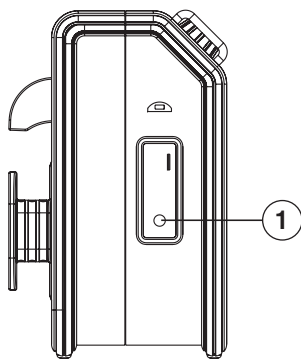
IMPORTANT SAFETY INSTRUCTIONS

1. Read these instructions.
2. Keep these instructions.
3. Heed all warnings.
4. Follow all instructions.
5. Clean only with dry cloth.
6. Do not block any ventilation openings. Install in accordance with the instructions.
7. Do not install near any heat sources such as radiators, heat registers, stoves or other apparatus (including amplifiers) that produce heat.
8. Do not defect the safety purpose of the polarized or grounding – type plug. A polarized plug has two blades with one wider than the other. A grounding type plug has two blades and a third grounding prong. The wide blade or the third prong is provided for your safety. If the provided plug does not fit into your outlet, consult an electrician for replacement of the obsolete outlet.
9. Protect the power cord from being walked on or pinched particularly at plug, convenience receptacles, and the point where they exit from the apparatus.
10. Only use attachments/accessories specified by the manufacturer.
11. Use only with the cart, stand, tripod, bracket, or table specified by the manufacturer, or sold with the apparatus. When a cart is used, use caution when moving the cart/ apparatus combination to avoid injury from tip-over.
12. Unplug this apparatus during lightning storms or when unused for long periods of time.
13. Refer all servicing to qualified service personnel. Servicing is required the apparatus has been damaged in any , such as power-supply cord or plug is damaged, liquid has been spilled or objects have fallen into the apparatus, the apparatus has been exposed to rain or moisture, does not operate normally, or has been dropped.
14. To reduce the risk of fire or electric shock, do not expose this appliance to rain or moisture.
15. Do not remove the cover; there are no user-serviceable parts inside.
16. No naked flame sources shall be placed on the apparatus.
17. For outdoors use, to avoid electric shock, use battery only during a raining day or the weather is wet. To prevent electric shock, if the radio has been exposed to rain or water, the power supply cord and plug must be completely dried before plugging into the mains socket outlet.
18. The power plug should be close to the apparatus, and easy to be approached that during emergency, to disconnect the power from the apparatus, just unplug the power plug from the AC power slot.
19. The marking information is located at the bottom of the apparatus.
20. This apparatus is provided with protection against splashing water (IPX4).
21. In case of malfunction due to electrostatic discharge or fast transient (burst), remove and reconnect the power supply.



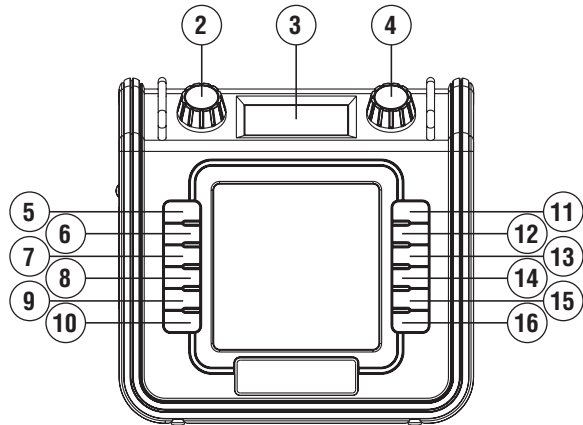
CONTROLS

Side View



1. Aux-in socket

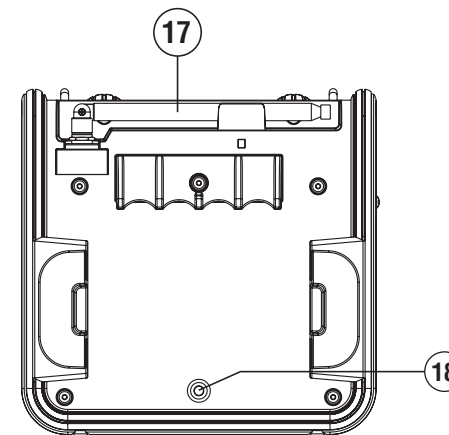
Front View



2. Volume knob
3. Display
4. Tuning knob
5. On/Off (Standby) button
6. Source button
7. Menu button
8. Info button

9. Loudness button
10. Tone adjustment button
11. Preset 1
12. Preset 2
13. Preset 3
14. Preset 4
15. Preset 5
16. Preset 6

Rear View



17. Telescopic antenna
18. AC power cord

POWER SUPPLY

AC operation

Before plugging the AC power cord into the AC socket, be sure the voltage is correct. The AC power cord storage is designed to store the cord when the device is not in use.

Note:

In order to disconnect the unit from the mains completely, the AC power cord should be removed from the mains socket completely.

In case of malfunction due to electrostatic discharge or fast transient (burst), remove and reconnect the power supply.

USING THE DEVICE FOR THE FIRST TIME

1. Place the device on a flat surface.
2. Carefully extend the telescopic antenna located on the top of the device. Adjust the antenna so that it is vertically extending above the device.
3. Plug the AC plug into the AC socket. The device will start up and automatically perform an auto scan of the FM waveband.
4. When the scan is completed, the first 6 strong FM stations will be stored as presets. After this the device will switch to standby.

FM RADIO MODE

Seeking a station

1. Press the **On/Off button** to turn on the device.
2. If the radio has been used before, the last listened to station will be played.
3. To seek a station, press the **Tuning knob**. The scan stops automatically when it finds a station of sufficient signal strength.
4. After a few seconds, the display will update and show the station name if RDS information is being received.
5. To find other stations, press the **Tuning knob** again.
6. To seek a station in an opposite direction, rotate the **Tuning knob** clockwise (to scan from low frequency to high frequency) or rotate anti-clockwise (to scan from high frequency to low frequency), and press the **Tuning knob**.
7. When the waveband end is reached, the radio will recommence tuning from the opposite waveband end.

Manual tuning

1. Press the **On/Off button** to turn on the device.
2. Press the **Source button** to select the FM Radio mode.
3. Rotate the **Tuning knob** to reach the required FM frequency. The radio will change the frequency in steps of 50 kHz.
4. Rotate the antenna to get the best reception. If the radio is tuned to a station of sufficient signal strength with RDS information present, the display will show the station name.
5. When the waveband end is reached, the radio will recommence tuning from the opposite waveband end.

Storing preset stations

There are 6 memory presets in the FM radio.

1. Press the **On/Off button** to turn on the device.
2. Press the **Source button** to switch to FM Radio mode.
3. Tune to the required station.
4. Press and hold the required **Preset button** until the radio beeps and shows "saved".
5. Repeat step 3 and 4 for the remaining presets.
6. Stations stored in the preset memories can be over-written by following the above procedure.

Recalling preset stations

1. Press the **On/Off button** to turn on the device.
2. Press the **Source button** to switch to FM Radio mode..
3. Briefly press the required **Preset button**, the display will show the station frequency and the preset number.

RDS Station Service

RDS (Radio Data System) is an information system which inaudible information is transmitted in addition to the normal FM radio program. When the radio is receiving a RDS station and the signal strength is sufficient, the station name will appear in the display. It may take some time before all the RDS information is available from a station.

Calling up RDS information

When you are listening to a FM station with RDS system, repeatedly press the **Info button** to cycle through the information. This will only function if the reception level is sufficient and clear.

- Program service (PS): Displays the name of the radio station being listened to.
- Program type (PTY): Displays the type of station being listened to, e.g. Pop, Classic, News, etc
- Radio text (RT): Displays the message about the station being listened to as ticker text.
- Date and Time: Displays the current time and date
- Signal strength level (SGLV): Displays the station signal strength level being received.

AUX-IN MODE

A 3.5mm stereo Aux-in socket is provided on the side under the rubber cover, for connecting an external audio device such as MP3 player or CD player (not included with this device).

1. Connect an audio source to the Aux-in socket.
2. Press the **Source button** to select AUX input. The display will show "AUX-IN".
3. Play the external player.
4. Adjust the volume of both the device and the player for comfortable listening.
5. After use, close the rubber cover to prevent moist or dust from entering into the sockets and device.
6. If there is no Aux-in signal for an extended period of 15 minutes, the device will be switched off. When there is 5 minutes left, the device will show a countdown on the display.

Notes: Never use the Aux-in socket in rainy or moist conditions to prevent moist from entering the device. Keep the rubber cover closed under these conditions.

LOUDNESS AND TONE CONTROL (BASS/TREBLE)

The Loudness function enables to get compensation on lower and higher frequency. The effect will be more audible when the radio is on a lower volume level (Dynamic Loudness).

1. Press the **Loudness button** to enable the loudness, the display shows "Loudness On".
2. Press the **Loudness button** again to disable the loudness, the display shows "Loudness Off".

The tone of the sound can be adjusted to your personal preference.

1. Press the **Tone button**.
2. Press the **Tuning knob** to switch between Bass and Treble settings and then rotate it left or right to adjust the level from -5 to +5.

TIME AND DATE SETTINGS

1. The displayed clock will automatically synchronize with the time and date of a RDS radio station (if available, please see “RDS station service”).
2. To manually set the time and date, turn off the device by pressing the **On/Off button**.
3. Press and hold the **Tuning knob** for about 12 seconds, until the clock flashes in the display.
4. Rotate the **Tuning knob** to adjust the data and then press the **Tuning knob** to confirm each part of the required time and date.
5. Select and confirm “Synclock On” when you want the time and date to be updated by the RDS signal. Select and confirm “Synclock Off” when you want to disable the time and date to be updated by the RDS signal and keep your own manually set time and date.

Note: When disconnecting the device from AC power the time setting will be lost and will have to be picked up again from the RDS signal the next time the device is used again in FM Radio mode. Menu settings and station presets are stored in the internal memory and are not lost when the device is disconnected from AC power.

ALARM SETTINGS

The alarm settings can only be changed when the device is off (in standby mode). If no buttons are pressed for 5 seconds, the device will exit the alarm setup menu and the settings are cancelled.

Setting the alarm time (only possible in standby mode)

1. Press the **Menu button** once and rotate the Tuning knob until the display shows “Alarm Set”.
2. Press the **Tuning knob** to enter and the hour digits flash on the display.
3. Rotate the **Tuning knob** to set alarm hours.
4. Press the **Tuning knob** to confirm. The minute digits flash.
5. Rotate the **Tuning knob** to set alarm minute.
6. Press the **Tuning knob** to confirm.
7. The display will then show “Alarm Source”. You may choose either “Buzzer” or “FM Radio”. Rotate **Tuning knob** to select. If “FM Radio” is selected, the last listened station will be played when the alarm rings.
8. The display will then show “Alarm Volume”. Rotate the **Volume knob** to set the alarm volume.
9. Press **Tuning knob** to confirm.
10. The alarm icon (a bell shape) will be shown on the display, left next to the time.

Switching on/off the alarm (only possible in standby mode)

1. To switch the alarm on, press and hold the **Info button** and the alarm icon (a bell shape) will be shown on the display, left next to the time.
To switch it off, press and hold the **Info button** again.
2. To turn off the alarm when it buzzes, simply press the **On/Off button**.

LANGUAGE SETTINGS

You can adjust the language setting by pressing the **Menu button** and then pressing the **Tuning knob** when “Language” is shown on the Display. Next rotate the **Tuning knob** to cycle through the choice of languages and press the **Tuning knob** to select your language of choice.

INFORMATION ON THE METAL TELESCOPIC ANTENNA

The antenna placed on this device is a long, metal telescopic antenna. This antenna is NOT flexible or bendable and should be used with care. When used in a dusty or dirty environment please clean the antenna from time to time with a dry cloth to ensure normal operation. When used in a wet, moist or dirty environment it is advised to regularly, after first cleaning with a dry cloth, thinly apply a universal protection oil (like e.g. WD40) with a cloth to prevent rust and corrosion and to ensure normal operation.

A flexible, plastic antenna is available for this device and can be bought through your Perfectpro dealer as a separate accessory.
Perfectpro article code: KA2

BACKLIGHT

Backlight of the Display is switched on whenever you press any buttons of the device. It will be switched off automatically after about 8 seconds.

WARRANTY

This device has a 2 year limited warranty.

WARNING ! WARRANTY BECOMES VOID ONCE THE DEVICE CABINET HAS BEEN OPENED OR ANY MODIFICATIONS TO THE ORIGINAL DEVICE HAVE BEEN MADE!

SPECIFICATIONS

Power requirements
Mains AC230V 50Hz~

Frequency coverage
FM 87.5 – 108 MHz

Circuit features
Loudspeaker 1 x ø4 inch
Output power 1 x 5w
Aux In socket ø3.5 mm

Environmental note



This product has been manufactured with high quality parts and materials which can be reused and recycled.

Therefore, do not throw the product away with normal household waste at the end of its service life. Take it to a collection point for the recycling of electrical and electronic device. This is indicated by this symbol on the product, in the operating manual and on the packaging.

Please find out about collection points operated by your local authority. Help protect the environment by recycling used products

GB

TABLE DES MATIERES

INFORMATIONS DE SECURITE IMPORTANTES	2
COMMANDES	3
ALIMENTATION	5
MODE RADIO FM	6
MODE AUX-IN	8
SONORITE ET TONALITE	9
REGLAGE DE L'HEURE ET DE LA DATE	9
REGLAGE DE L'ALARME	10
SELECTION DE LA LANGUE	11
ANTENNE TELESCOPIQUE EN METAL	11
ECLAIRAGE DE L'ECRAN	11
GARANTIE	11
CARACTERISTIQUES TECHNIQUES	12

AVERTISSEMENT : LA GARANTIE PREND FIN LORSQUE LE BOITIER DE LA RADIO A ETE OUVERT OU LORSQUE LA RADIO A ETE MODIFIEE DE QUELQUE MANIERE QUE CE SOIT PAR L'UTILISATEUR FINAL.

INSTRUCTIONS DE SECURITE IMPORTANTES

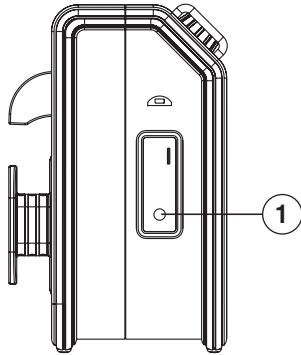
1. Lisez attentivement et complètement le mode d'emploi de la radio.
2. Conservez soigneusement ce mode d'emploi.
3. Tenez compte de tous les avertissements.
4. Suivez toutes les instructions.
5. Nettoyez la radio exclusivement avec un linge propre et sec.
6. N'obstruez pas les ouvertures de ventilation. Installez la radio conformément aux instructions.
7. N'installez pas la radio à proximité de sources de chaleur (radiateurs de chauffage, grilles de ventilation, fours et autres appareils (amplis compris) qui génèrent de la chaleur.
8. Ne tenter jamais de modifier les fiches et prises polarisées ou comportant un plot de terre destiné à garantir votre sécurité. Une prise polarisée possède deux contacts, dont l'un est plus large que l'autre. Une prise à plot de terre possède deux contacts et un plot de mise à la terre. Le contact le plus large ou le plot de terre est prévu pour assurer votre sécurité. Si la fiche fournie ne s'adapte pas dans la prise de courant de votre installation, consultez un électricien pour le remplacement de la prise de courant.
9. Protégez le cordon d'alimentation de la radio de manière à éviter tout dommage à celui-ci, en particulier au niveau de la prise de courant et de la sortie de la radio.
10. Utilisez exclusivement les pièces et accessoires prévus par le fabricant.
11. Utilisez la radio exclusivement sur un support mobile, un présentoir, un trépied, un support mural ou une table recommandé par le fabricant ou vendu avec la radio. Lors de l'utilisation d'un support mobile, soyez prudent en déplaçant l'ensemble support/radio, de façon à éviter de vous blesser en cas de chute de la radio.
12. Retirez la fiche du cordon d'alimentation de la radio de la prise de courant pendant un orage ou lorsque la radio n'est pas utilisée durant un certain temps.
13. Confiez toute réparation ou tout entretien à un personnel qualifié. Une réparation ou un entretien est nécessaire lorsque la radio, le cordon d'alimentation ou la fiche a été endommagé, lorsqu'un liquide a été renversé sur la radio et a pénétré dans celle-ci, lorsque des objets sont tombés sur la radio et ont pénétré dans celle-ci, lorsque la radio a été exposée à la pluie ou à l'humidité, lorsque la radio ne fonctionne pas normalement ou lorsque la radio est tombée d'une certaine hauteur.
14. Afin d'éviter tout risque d'incendie ou d'électrocution, n'exposez pas la radio à la pluie ni à l'humidité.
15. Ne tentez jamais de démonter la radio. Celle-ci ne comporte aucun élément qui soit réparable par l'utilisateur.
16. Ne posez jamais sur la radio des objets dégagant de la chaleur ou présentant une flamme nue.
17. Lors d'une utilisation à l'air libre par temps humide ou pluvieux, faites fonctionner la radio sur piles afin d'éviter tout risque d'électrocution. Afin de prévenir le risque d'électrocution lorsque la radio a été exposée à l'eau ou à la pluie, le cordon d'alimentation ainsi que la fiche doivent être complètement séchés avant d'insérer la fiche du cordon d'alimentation de la radio dans une prise de courant.
18. La prise de courant doit être proche de la radio et rester toujours accessible, de sorte que seule la fiche de la radio doit être retirée de la prise de courant en cas d'urgence.
19. Les informations légales concernant la radio se trouvent sur la face inférieure de celle-ci.
20. Cette radio est protégée contre les projections d'eau (IPX4).
21. En cas de perturbations provoquées par une décharge électrostatique ou une pointe de tension, la fiche du cordon d'alimentation de la radio doit être retirée un bref instant de la prise de courant et réinsérée ensuite dans celle-ci.



ATTENTION : risque d'électrocution – ne pas ouvrir.

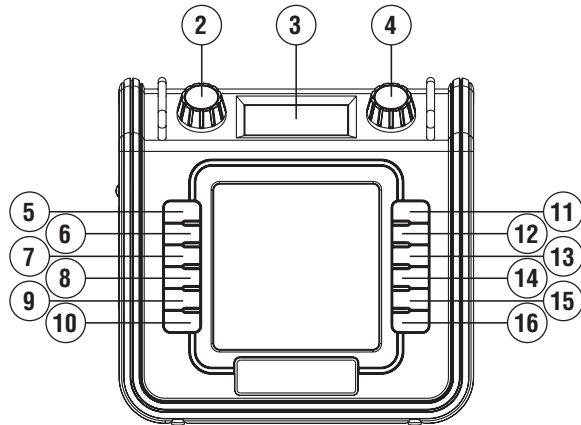
COMMANDES

Côté



1. Aux-in socket

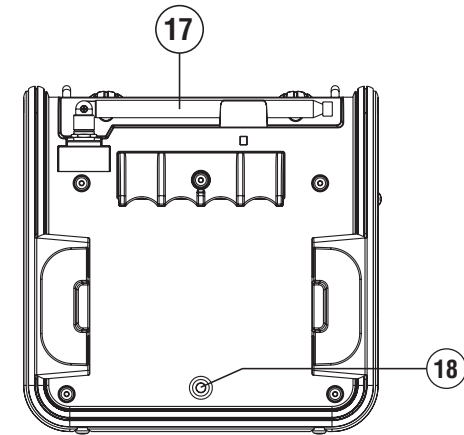
Face avant



2. Bouton de volume
3. Ecran d'affichage
4. Bouton de fréquence
5. Touche ON/OFF (Standby)
6. Touche de sélection de la source Audio
7. Touche de menu
8. Touche Info

9. Touche de sonorité
10. Touche de tonalité
11. Présélection 1
12. Présélection 2
13. Présélection 3
14. Présélection 4
15. Présélection 5
16. Présélection 6

Face arrière



17. Antenne télescopique
18. Cordon d'alimentation

ALIMENTATION

Utilisation sur courant secteur

Avant d'insérer la fiche du cordon d'alimentation de la radio dans une prise de courant, assurez-vous que la tension soit correcte. Le cordon d'alimentation peut être rangé à l'arrière de la radio lorsque celle-ci n'est pas utilisée.

Remarque : Afin de déconnecter complètement la radio du secteur, la fiche du cordon d'alimentation doit être retirée de la prise de courant. En cas de perturbations provoquées par une décharge électrostatique ou une pointe de tension, la fiche du cordon d'alimentation de la radio doit être retirée un bref instant de la prise de courant et réinsérée ensuite dans celle-ci.

PREMIERE UTILISATION DE LA RADIO

1. Posez la radio sur une surface stable et plane.
2. Déployez entièrement avec précaution l'antenne télescopique située au-dessus de la radio. Orientez l'antenne verticalement par rapport à la radio.
3. Lorsque la radio est raccordée pour la première fois à une source de courant, la radio s'allume automatiquement et effectue un balayage de la bande de fréquences FM.
4. Les 6 premières stations FM dont le signal de réception est le plus puissant sont alors mises dans la mémoire de stations présélectionnées. Après ce premier balayage, la radio se met automatiquement en veille (mode standby).

MODE RADIO FM

Recherche automatique d'une station

1. Appuyez sur la touche **ON/OFF** pour allumer la radio.
2. Lorsque la radio a déjà été utilisée, la dernière station écoutée est automatiquement sélectionnée.
3. Appuyez sur le bouton de **Fréquence** pour démarrer la fonction de recherche automatique d'une station. La radio lance la recherche et s'arrête immédiatement lorsqu'elle trouve une station offrant une bonne réception.
4. Après quelques secondes, le nom de la station est affiché à l'écran lorsque des informations RDS sont disponibles.
5. Pour rechercher une autre station, appuyez de nouveau sur le bouton de **Fréquence**.
6. Pour rechercher des stations dans le sens opposé, tournez le bouton de **Fréquence** dans le sens des aiguilles d'une montre (pour rechercher des stations depuis les basses fréquences vers les hautes fréquences) ou dans le sens inverse des aiguilles d'une montre (pour rechercher des stations depuis les hautes fréquences vers les basses fréquences) et appuyez ensuite sur le bouton de **Fréquence**.
7. Lorsque la fin de la bande de fréquences est atteinte, la radio recommence la recherche depuis l'extrémité opposée de la bande de fréquences.

Recherche manuelle d'une station

1. Appuyez sur la touche **ON/OFF** pour allumer la radio.
2. Appuyez sur la touche de **Sélection Source Audio** pour sélectionner le mode FM.
3. Tournez le bouton de **Fréquence** pour sélectionner la station FM souhaitée. La fréquence radio change par incréments de 50 kHz.
4. Tournez éventuellement l'antenne de manière à obtenir la meilleure réception possible. Lorsque la radio capte une station RDS dont la puissance du signal de réception est suffisante, le nom de la station s'affiche à l'écran.
5. Lorsque la fin de la bande de fréquences est atteinte, la radio recommence la recherche depuis l'extrémité opposée de la bande de fréquences.

Mémoire de stations présélectionnées

La radio possède 6 emplacements de mémoire de stations présélectionnées.

1. Appuyez sur la touche **ON/OFF** pour allumer la radio.
2. Appuyez sur la touche de **Sélection Source Audio** pour sélectionner le mode FM.
3. Sélectionnez la station souhaitée.
4. Maintenez une pression sur la touche de **Présélection 1** par exemple jusqu'à ce que la radio émette un Bip et affiche "P-1 saved / mémorisé".
5. Répétez les points 3 et 4 pour les autres présélections.
6. Les stations déjà présélectionnées peuvent être écrasées en répétant les points ci-dessus.

Rappel de stations présélectionnées

1. Appuyez sur la touche **ON/OFF** pour allumer la radio.
2. Appuyez sur la touche de **Sélection Source Audio** pour sélectionner le mode FM.
3. Appuyez brièvement sur la touche de **Présélection** souhaitée. Le numéro de présélection et la fréquence de la station s'affichent alors à l'écran.

Service d'informations RDS

RDS (Radio Data System) est un système d'informations par lequel des informations numériques non audibles sont diffusées en plus du programme radio FM normal. Lorsque la radio capte une station RDS et que la puissance du signal de réception est suffisante, le nom de la station s'affiche à l'écran LCD. Un certain temps peut s'écouler avant que les informations RDS soient disponibles.

Activation du service d'informations RDS

Lorsque vous écoutez une station FM comportant le système RDS, appuyez plusieurs fois sur la touche **Info** pour parcourir les informations RDS disponibles. Ceci fonctionne uniquement lorsque la réception est suffisamment bonne et claire.

- Service Programme (PS) Affiche le nom de la station que vous écoutez.
- Type de programme (PTY) Affiche le type de station que vous écoutez, par exemple Pop, Classique, Actualités, etc.
- Radio texte (RT) Affiche des messages de la station que vous écoutez, sous la forme d'un texte défilant.
- Date et heure Affiche la date et l'heure exacte.
- Puissance du signal (SGLV) Affiche la puissance du signal de réception de la station que vous écoutez.

MODE AUX-IN

Une prise **Aux-in** stéréo de 3,5mm est prévue sur le côté de la radio, derrière la coiffe en caoutchouc, et permet d'y brancher un appareil audio externe, comme par exemple un lecteur MP3 ou un lecteur de CD (non fourni avec la radio).

1. Raccordez une source audio externe à la prise **Aux-in**.
2. Appuyez sur la touche de **Sélection Source Audio** pour sélectionner l'entrée auxiliaire. L'écran affiche ensuite "AUX-IN".
3. Allumez et démarrez le lecteur externe.
4. Réglez le volume de la radio et du lecteur à un niveau d'écoute confortable.
5. Après utilisation de la prise **Aux-in**, replacez soigneusement la coiffe en caoutchouc afin d'empêcher l'humidité ou la poussière de pénétrer dans la prise et dans la radio.
6. En l'absence de signal Aux-in pendant 15 minutes, la radio s'éteint automatiquement. Pendant les 5 dernières minutes, un décompte du temps restant est affiché à l'écran LCD.

Remarque : N'utilisez jamais la prise AUX-IN sous la pluie ni dans un endroit très humide, de façon à éviter que de l'humidité pénètre dans la radio. Conservez dans ce cas la coiffe en caoutchouc soigneusement fermée.

SONORITE ET TONALITE (BASSES/AIGUES)

Une pression sur la touche de sonorité permet de compenser les fréquences les plus basses et les fréquences les plus hautes et d'obtenir un son plus dynamique. L'effet devient plus audible lorsque la radio est réglée à un faible niveau de volume (Dynamic Loudness).

1. Appuyez sur la touche de **Sonorité** pour activer la fonction. L'écran affiche brièvement "Loudness On".
2. Appuyez de nouveau sur la touche de **Sonorité** pour désactiver la fonction. L'écran affiche brièvement "Loudness Off".

Les basses et les aigues peuvent également être réglées en fonction de vos goûts personnels.

1. Appuyez sur la touche de **Tonalité** pour activer la fonction.
2. Appuyez sur le bouton de **Fréquence** pour régler le niveau des basses et des aigues. Tournez le bouton vers la droite ou vers la gauche pour ajuster le niveau entre -5 et +5.
3. Après réglage de la tonalité, l'écran affiche de nouveau automatiquement les informations RDS standard après quelques secondes.

REGLAGE DE L'HEURE ET DE LA DATE

1. L'heure et la date affichées sont synchronisées automatiquement sur base de l'heure et de la date de la station RDS captée par la radio. (Pour de plus amples informations, voir "Service d'informations RDS").
2. Si vous souhaitez régler manuellement l'heure et la date, éteignez d'abord la radio en appuyant sur la touche **ON/OFF** (mode standby).
3. Appuyez ensuite pendant 12 secondes sur le bouton de **Fréquence** jusqu'à ce que les chiffres correspondant à l'heure et la date clignotent à l'écran.
4. Tournez le bouton de **Fréquence** pour régler chaque chiffre et appuyez chaque fois sur le bouton de **Fréquence** pour confirmer chaque chiffre.
5. Sélectionnez et confirmez "Synclock On" si vous souhaitez que l'heure et la date soient synchronisées par le signal RDS. Sélectionnez et confirmez "Synclock Off" si vous ne souhaitez pas que l'heure et la date soient synchronisées par le signal RDS et souhaitez garder l'heure et la date que vous avez réglées manuellement.

Remarque : Lorsque la radio est déconnectée du secteur, l'heure et la date seront perdues et devront être récupérées lorsque la radio est utilisée de nouveau en mode FM et capte un signal RDS. Les sélections du menu et les stations présélectionnées sont cependant mémorisées dans la mémoire interne de la radio et ne sont pas perdues lorsque la radio est déconnectée du secteur.

REGLAGE DE L'ALARME

L'alarme peut être réglée uniquement lorsque la radio est éteinte (en mode standby). En l'absence de pression sur une touche, la radio quitte le mode de réglage de l'alarme après 5 secondes et le réglage est annulé.

Réglage de l'alarme (possible uniquement en mode standby)

1. Appuyez sur la touche de Menu et tournez le bouton de **Fréquence** jusqu'à ce que "ALARM SET" (Réglage de l'alarme) soit affiché à l'écran.
2. Appuyez sur le bouton de **Fréquence**. Les chiffres correspondant à l'heure de l'alarme clignotent ensuite à l'écran.
3. Tournez le bouton de **Fréquence** pour régler l'heure de l'alarme.
4. Appuyez sur le bouton de **Fréquence** pour confirmer votre choix. Les chiffres correspondant aux minutes clignotent ensuite à l'écran.
5. Tournez le bouton de **Fréquence** pour régler les minutes.
6. Appuyez sur le bouton de **Fréquence** pour confirmer votre choix.
7. L'écran affichera ensuite "Alarm Source". Il vous est loisible de choisir entre "Buzzer" (Ronfleur) et "FM Radio". Tournez le bouton de **Fréquence** pour sélectionner le type d'alarme. Si vous choisissez "FM Radio", vous serez réveillé par la dernière station que vous avez écoutée en mode FM.
8. L'écran affichera ensuite "Alarm Volume". Tournez le bouton de **Volume** pour régler le volume souhaité de l'alarme.
9. Appuyez sur le bouton de **Fréquence** pour confirmer votre choix.
10. Une icône d'alarme (en forme de cloche) est alors affichée à l'écran, à gauche de l'heure.

Activation et désactivation de l'alarme (possible uniquement en mode standby)

1. Pour activer l'alarme, appuyez et maintenez une pression sur la touche **Info**. Une icône d'alarme (en forme de cloche) est alors affichée à l'écran, à gauche de l'heure. Pour désactiver l'alarme, appuyez et maintenez de nouveau une pression sur la touche **Info**.
2. Pour arrêter l'alarme lorsque celle-ci retentit, appuyez simplement sur la touche **ON/ OFF**.

SELECTION DE LA LANGUE

Il vous est loisible de sélectionner une autre langue en appuyant sur la touche de **Menu** et en tournant ensuite le bouton de **Fréquence** jusqu'à ce que "Language" (Langue) soit affiché à l'écran. Appuyez sur le bouton de **Fréquence** pour entrer dans le menu de sélection de la langue. Tournez ensuite le bouton de **Fréquence** pour sélectionner une langue et appuyez de nouveau sur le bouton de **Fréquence** pour confirmer votre choix.

ANTENNE TELESCOPIQUE EN METAL

L'antenne de la radio est une longue antenne télescopique en métal. L'antenne N'EST PAS flexible et doit être utilisée avec précaution. Lorsque la radio est utilisée dans un environnement poussiéreux ou crasseux, il est recommandé de nettoyer de temps à autre l'antenne à l'aide d'un linge sec. Lorsque la radio est utilisée dans un environnement humide, il est recommandé, après avoir essuyé la radio et l'antenne à l'aide d'un linge sec, d'appliquer un fin film d'huile de protection (par exemple WD40) sur l'antenne, afin de prévenir la formation de rouille et la corrosion de celle-ci.

Une antenne souple en matière synthétique est disponible pour la radio et peut être commandée comme accessoire séparé auprès de votre revendeur Perfectpro.

Code article Perfectpro : KA2

ECLAIRAGE DE L'ECRAN

L'écran s'allume automatiquement lorsque vous appuyez sur n'importe quelle touche ou bouton de la radio. L'éclairage de l'écran s'éteint automatiquement après environ 8 secondes.

GARANTIE

Ce produit est garanti 2 ans.

AVERTISSEMENT : LA GARANTIE PREND FIN LORSQUE LE BOITIER DE LA RADIO A ETE OUVERT OU LORSQUE LA RADIO A ETE MODIFIEE DE QUELQUE MANIERE QUE CE SOIT PAR L'UTILISATEUR FINAL.

CARACTERISTIQUES TECHNIQUES

Source de courant

Fonctionnement sur secteur AC 230V, 50Hz, courant alternatif

Fréquences

Bande FM 87.5 – 108 MHz

Autres caractéristiques

Haut-parleur 1 x Ø4"

Puissance de sortie 1 x 5W

Prise Aux-In Ø3.5 mm

Protection de l'environnement :



Ce produit est fabriqué avec des pièces et des matériaux de qualité, susceptibles d'être réutilisés et recyclés. Lorsque ce produit a atteint la fin de sa vie utile, ne le jetez par conséquent pas avec les ordures ménagères ordinaires, mais confiez-le à un point de collecte et de recyclage d'appareils électriques et électroniques. Le symbole ci-contre figure à cet effet sur le produit, dans le mode d'emploi ainsi que sur l'emballage.

Veuillez-vous informer auprès des autorités communales au sujet des points de collecte les plus proches de chez vous. Aidez à protéger l'environnement en recyclant les produits usagés.

F

INHOUD

BELANGRIJKE VEILIGHEIDSINSTRUCTIES	2
BEDIENINGSELEMENTEN	3
STROOMVOORZIENING	5
FM MODUS	6
AUX-IN MODUS	8
LOUDNESS EN TOONREGELING	9
INSTELLEN VAN KLOK EN DATUM	9
WEKKER INSTELLEN	10
TAALINSTELLING	11
METALEN TELESCOPISCHE ANTENNE	11
VERLICHTING DISPLAY	11
GARANTIE	11
TECHNISCHE GEGEVENS	12

WAARSCHUWING DE GARANTIE VERVALT INDIEN DE BEHUIZING VAN HET APPARAAT GEOPEND IS OF INDIEN HET APPARAAT DOOR DE EINDGEBRUIKER OP ENIGERLIJ WIJZE GEMODIFICEERD IS.

BELANGRIJKE VEILIGHEIDSINSTRUCTIES

1. Lees deze instructies.
2. Bewaar deze instructies goed.
3. Neem alle waarschuwingen in acht.
4. Volg alle aanwijzingen op.
5. Reinig het uitsluitend met een droge doek.
6. Blokkeer geen ventilatieopeningen en plaats het toestel volgens de instructies.
7. Plaats het niet in de buurt van warmtebronnen zoals verwarmingen, ventilatiekleppen, ovens en andere apparaten (incl. versterkers) die warmte afgeven.
8. Beschadig niet de ten behoeve van de veiligheid gepoolde of geaarde stekkers. Een gepoolde stekker bezit twee contacten, een is breder dan de andere. Een geaarde stekker bezit twee contacten en een derde pen voor de aarding. Het brede contact of de derde pin dienen voor uw veiligheid. Mocht de meegeleverde stekker niet in uw stopcontact passen, neem dan voor het vervangen van het verouderde stopcontact contact op met een elektricien.
9. Bescherm de stroomkabel, opdat hierop niet gelopen wordt en er geen beschadigingen of knikken optreden aan de stekker, aan het stopcontact of op de plek waar de stekker uit het toestel komt.
10. Gebruik uitsluitend de door de fabrikant aangegeven onderdelen/accessoires.
11. Gebruik het toestel uitsluitend met de door de fabrikant aangegeven of samen met het toestel gekochte wagentjes, standards, driepoten, klemmen of tafel. Wanneer u een wagen gebruikt, wees dan voorzichtig bij het bewegen van de combinatie wagen/toestel om letsel door omvallen te vermijden.
12. Koppel het toestel van de stroomvoorziening af bij onweer of wanneer het langere tijd niet wordt gebruikt.
13. Laat iedere vorm van onderhoud door gekwalificeerd personeel verrichten. Een onderhoud is noodzakelijk wanneer het toestel aan de stroomkabel of stekker beschadigd werd, wanneer er vloeistof of voorwerpen in het toestel zijn binnengedrongen, wanneer het toestel aan regen of vochtigheid was blootgesteld en wanneer het niet normaal functioneert resp. gevallen is.
14. Stel het toestel noch aan regen noch aan vochtigheid bloot om het gevaar voor brand of het risico van een elektrische schok te reduceren.
15. Verwijder de afdekking niet. In het binnenste bevinden zich geen onderdelen waarvoor een onderhoud noodzakelijk is.
16. Geen voorwerpen op het apparaat plaatsen welke een bron zijn van open vlammen.
17. Gebruik bij het gebruik in de open lucht op regenachtige dagen of bij vochtig weer uitsluitend batterijen om een elektrische schok te vermijden. Om elektrische schok te voorkomen, als de radio blootgesteld is geweest aan regen of water, dienen zowel het snoer als de stekker volledig gedroogd te worden alvorens de stekker in het stopcontact wordt gestoken.
18. De netstekker moet dicht bij het toestel en steeds toegankelijk zijn, zodat in geval van nood (bijv. om het toestel van het stroomnet te scheiden) alleen de stekker uit het stopcontact moet worden getrokken.
19. De product-informatie is te vinden op de onderzijde van het toestel.
20. Dit apparaat is voorzien van bescherming tegen spattend water (IPX4).
21. In geval van storing ten gevolge van electro-statische ontlading of piekspanning, verwijder de stroombron en sluit deze daarna weer aan.

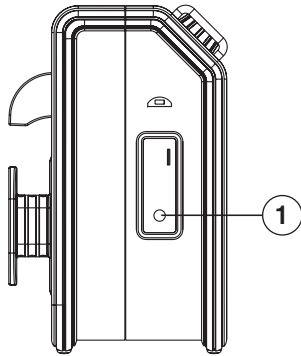


LET OP: gevaar voor elektrische schok – niet openen.

NL

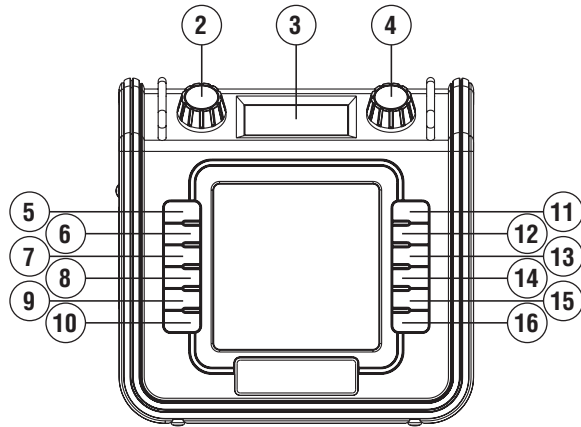
BEDIENINGSELEMENTEN

Zijkant



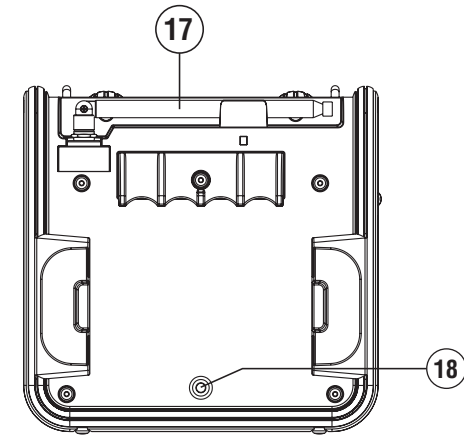
1. Aux-in ingang

Voorzijde



2. Volume draaiknop
3. Display
4. Frequentie draaiknop
5. Aan/Uit (Standby) toets
6. Audiobron keuzetoets (Source)
7. Menu toets
8. Info toets
9. Loudness toets
10. Toonregeling toets (Tone)
11. Voorkeuze-zender 1
12. Voorkeuze-zender 2
13. Voorkeuze-zender 3
14. Voorkeuze-zender 4
15. Voorkeuze-zender 5
16. Voorkeuze-zender 6

Achterzijde



17. Telescopische antenne
18. Stroomkabel

STROOMVOORZIENING

Gebruik op netstroom

Voordat u de aansluitkabel met het stopcontact verbindt, dient u te controleren of de spanning correct is. De opberghaken voor de stroomkabel dienen voor het opbergen van de kabel, wanneer de radio niet in gebruik is.

Opmerking: Om het toestel compleet van de netstroom af te koppelen moet de aansluitstekker volledig uit het stopcontact worden getrokken. In geval van storing ten gevolge van electro-statische ontlading of piekspanning, verwijder de stroombron en sluit deze daarna weer aan.

EERSTE GEBRUIK VAN DE RADIO

1. Plaats de radio op een vlakke ondergrond.
2. Trek de telescopische antenne, die zich bovenop de radio bevindt, voorzichtig volledig uit en zet deze rechtop.
3. Na de eerste keer aansluiten op een stroombron zal de radio vanzelf opstarten en automatisch het FM-frequentiebereik scannen.
4. De eerste 6 sterke zenders worden dan in het voorkeuze-geheugen gezet. Na deze eerste scan zal de radio zichzelf uitschakelen.

FM RADIO MODUS

Een zender zoeken

1. Druk op de **Aan/Uit** toets om de radio in te schakelen.
2. Als de radio eerder werd gebruikt dan speelt de laatst beluisterde zender af.
3. Druk op de **Frequentie draaiknop** om de zoekfunctie te starten. De radio zoekt en stopt onmiddellijk wanneer hij een zender met voldoende signaalsterkte vindt.
4. Na een aantal seconden zal de display de zendernaam weergeven indien er RDS informatie wordt ontvangen.
5. Om een andere zender te zoeken drukt u opnieuw op de **Frequentie draaiknop**.
6. Om zenders in tegenovergestelde richting te zoeken draait u de **Frequentie draaiknop** met de wijzers van de klok mee (voor het zoeken van lage naar hoge frequentie) of tegen de wijzers van de klok in (voor het zoeken van hoge naar lage frequentie) en drukt dan op de **Frequentie draaiknop**.
7. Wanneer het einde van het frequentiebereik is bereikt, begint de radio opnieuw te zoeken vanaf het tegenovergestelde einde van het frequentiebereik.

Manuele afstemming

1. Druk op de **Aan/Uit toets** om de radio in te schakelen.
2. Kies de FM modus door het drukken op de **Audiobron keuzetoets**.
3. Draai de **Frequentie draaiknop** voor het instellen van de gewenste FM zender. De radiofrequentie gaat in stappen van 50 kHz.
4. Draai eventueel de antenne tot u de beste ontvangst bereikt. Als de radio een RDS-zender ontvangt en de ontvangst voldoende sterk is, wordt de naam van de zender getoond op de display.
5. Wanneer het einde van het frequentiebereik is bereikt, begint de radio opnieuw te zoeken vanaf het tegenovergestelde einde van het frequentiebereik.

Instellen van zenders in het voorkeuze-geheugen

Deze radio beschikt over 6 voorkeuze-geheugenplaatsen

1. Druk op de **Aan/Uit toets** om de radio in te schakelen.
2. Kies de FM stand door het drukken op de **Audiobron keuzetoets**.
3. Stel de gewenste zender in.
4. Houd de gewenste **voorkeuze-toets** ingedrukt tot de radio piept en bijv. "P-1 saved" ("P-1 vastgelegd") aangeeft.
5. Herhaal stap 3 en 4 voor de overige voorkeuze-instellingen.
6. Zenders die reeds als voorkeuze zijn ingesteld kunnen ook op de bovenstaande manier gewijzigd worden.

Oproepen van zenders uit het voorkeuze-geheugen

1. Druk op de **Aan/Uit toets** om de radio in te schakelen.
2. Kies de FM stand door het drukken op de **Audiobron keuzetoets**.
3. Druk kort op de gewenste **voorkeuze-toets** en het display toont het voorkeuze-nummer en de zenderfrequentie

RDS zender-service

RDS (Radio Data System) is een informatiesysteem dat behalve het normale FM-radioprogramma onhoorbare digitale informatie meezendt. Wanneer de radio een RDS-zender ontvangt en de ontvangst voldoende sterk is, verschijnt de naam van de zender in de LCD display. Het kan even duren tot deze RDS informatie beschikbaar is.

Oproepen van de RDS-informatie

Wanneer u naar een FM-zender met RDS-systeem luistert, drukt u meermaals op de info toets om door de RDS-informatie te lopen. Dit functioneert alleen wanneer het niveau van de ontvangst voldoende sterk en helder is.

- | | |
|--------------------------------|---|
| - Programmaservice (PS) | Geeft de naam van de zender aan die u hoort. |
| - Programma-type (PTY) | Geeft het type zender aan die u hoort, bijv. pop, klassiek, nieuwsberichten, enz. |
| - Radiotekst (RT) | Geeft mededelingen van de beluisterde zender als doorlopende tekst aan. |
| - Datum en tijd | Geeft de actuele tijd en de datum aan. |
| - Niveau signaalsterkte (SGLV) | Geeft het ontvangen niveau van de signaalsterkte van de zender aan. |

AUX-IN MODUS

Aan de zijkant achter de rubberen afdekking bevindt zich een 3,5 mm stereo **Aux-In ingang** voor het aansluiten van een extern audioapparaat zoals bijv. een MP3-speler of een Cd-speler (niet meegeleverd bij de radio).

1. Verbind een audiobron met de **Aux in ingang**.
2. Druk op de **Audiobron keuzetoets** om AUX-IN te kiezen. Het display geeft "AUX-IN" aan.
3. Speel de externe speler af.
4. Stel het volume van zowel de radio als de speler in op het gewenste luisterniveau.
5. Zorg ervoor dat de rubberen afdekking na het gebruik weer goed wordt gesloten, zodat er geen vocht of vuil in de radio kan binnendringen.
6. Als er gedurende een periode van 15 minuten geen Aux-in signaal wordt uitgezonden zal de radio zichzelf uitschakelen. In de laatste 5 minuten van deze periode zal er een timer weergegeven worden op de LCD-display.

Opmerking: Gebruik de AUX-IN ingang nooit in de regen of in een vochtige omgeving om te voorkomen dat er vocht binnendringt in de radio! Hou de rubberen afdekking altijd gesloten in deze omstandigheden.

LOUDNESS EN TOONREGELING (BASS/TREBLE)

Druk op de Loudness-toets voor compensatie op de lagere en hogere geluidsfrequenties. Het effect zal het best hoorbaar zijn als de radio is ingesteld op een lager volumenniveau (Dynamic Loudness).

1. Druk op de **Loudness Toets** om Loudness in te schakelen, de display toont "Loudness On".
2. Druk nog eens op de **Loudness Toets** om Loudness uit te schakelen, de display toont "Loudness Off".

De bas (Bass) en hoge tonen (Treble) kunnen ook aan uw persoonlijke voorkeur aangepast worden.

1. Druk op de **Toonregeling Toets** (Tone).
2. Druk op de **Frequentie draaiknop** om het Bass- of Treble-niveau in te stellen en draai naar links of naar rechts om het niveau aan te passen van -5 tot +5.
3. Na het instellen gaat de display na enkele seconden vanzelf weer naar het standaard RDS weergave.

INSTELLEN VAN DE KLOK – DATUM

1. De weergegeven klok zal automatisch synchroniseren met de tijd en datum van een RDS zender (voor meer informatie, zie "RDS zender-service")
2. Indien u de tijd en datum manueel wilt instellen, schakel de radio dan eerst uit door op de **Aan/uit toets** te drukken.
3. Houd de **Frequentie draaiknop** 12 seconden ingedrukt tot de cijfers voor de uren op het display knipperen.
4. Draai aan de **Frequentie draaiknop** om de cijfers aan te passen en druk op de **Frequentie draaiknop** om ieder gedeelte te bevestigen.
5. Selecteer en bevestig "Synclock On" indien u de tijd en datum wilt gebruiken die meegestuurd worden met het RDS signaal. Selecteer en bevestig "Synclock Off" indien u dit niet wilt en de door uzelf manueel ingestelde tijd en datum wilt behouden.

Opmerking: Wanneer de radio losgekoppeld wordt van de netstroom zal de tijdsinstelling verloren gaan en zal deze terug moeten opgehaald worden wanneer de radio in FM modus wordt gebruikt en een RDS signaal ontvangt.

De menu instellingen en voorkeuze zenders worden opgeslagen in het interne geheugen en gaan niet verloren wanneer de radio losgekoppeld wordt van de netstroom.

Wekker Instellingen

De wekker kan alleen worden ingesteld wanneer de radio uitgeschakeld is (in standby modus). Wanneer er 5 seconden lang geen toetsen worden ingedrukt, verlaat de radio de instellingsmodus van de wekker en de instelling wordt gewist.

Wekker instellen (enkel mogelijk in standby modus)

1. Druk op de **Menu toets** en draai aan de **Frequentie draaiknop** tot de display "ALARM SET" toont.
2. Druk op de **Frequentie draaiknop** om uw keuze te bevestigen.
3. Draai aan de **Frequentie draaiknop** om het uur in te stellen.
4. Druk op de **Frequentie draaiknop** om te bevestigen en de cijfers van de minuten zullen nu knipperen.
5. Draai aan de **Frequentie draaiknop** om de minuten in te stellen.
6. Druk op de **Frequentie draaiknop** om te bevestigen.
7. De display zal dan "Alarm Source" tonen. U kunt kiezen tussen "Buzzer" en "FM Radio". Draai aan de **Frequentie draaiknop** om een keuze te maken. Als u "FM Radio" kiest dan wordt u gewekt met de laatste zender waar u naar luisterde in de FM modus.
8. De display zal dan "Alarm Volume" tonen. Draai aan de Volume draaiknop om het gewenste volume in te stellen.
9. Druk op de **Frequentie draaiknop** om te bevestigen.
10. Er wordt nu een wekker icoontje (een bel) getoond op de display, links naast de klok.

Wekker functie in- en uitschakelen (alleen mogelijk in standby modus)

1. Om de wekker functie in te schakelen houdt u de **Info toets** ingedrukt. Vervolgens wordt er op de display een wekker icoontje getoond (een bel) links van de klok. Om de wekker functie uit te schakelen houdt u de **Info toets** opnieuw ingedrukt.
2. Om de wekker uit zetten wanneer hij afgaat drukt u simpelweg op de **Aan/Uit toets**.

TAALINSTELLING

U kunt de taalinstelling aanpassen door op de **Menu toets** te drukken en dan aan de **Frequentie draaiknop** te draaien tot dat "Language" (taal) wordt getoond op de display. Dan drukt u op de **Frequentie draaiknop** om in het taalinstellingsmenu te gaan. Vervolgens draait u aan de **Frequentie draaiknop** om een taal te selecteren en bevestigt u uw keuze door weer op de **Frequentie draaiknop te drukken**.

INFORMATIE OVER DE METALEN TELESCOPISCHE ANTENNE

De antenne die op de radio zit is een lange, metalen telescopische antenne. De antenne is NIET buigbaar en dient voorzichtig te worden gebruikt.

Het wordt aangeraden om, wanneer u de radio in een stoffige of vuile omgeving gebruikt, de antenne van tijd tot tijd schoon te maken met een droge doek. Wanneer u de radio in een natte of vochtige omgeving gebruikt is het aangeraden om, na het schoonmaken met een droge doek, dun een onderhoudsspray aan te brengen (zoals bijvoorbeeld WD40) om roest en corrosie te voorkomen.

Een flexibele, plastic antenne is beschikbaar voor dit toestel en kan besteld worden via uw Perfectpro dealer als een aparte accessoire.
Perfectpro artikel code: KA2

VERLICHTING DISPLAY

De verlichting van de display gaat automatisch aan als u op een knop drukt. De verlichting wordt automatisch uitgeschakeld na ongeveer 8 seconden.

GARANTIE

Dit product heeft 2 jaar garantie.

WAARSCHUWING DE GARANTIE VERVALT INDIEN DE BEHUIZING VAN HET APPARAAT GEOPEND IS OF INDIEN HET APPARAAT DOOR DE EINDGEBRUIKER OP ENIGERLIJ WIJZE GEMODIFICEERD IS.

TECHNISCHE GEGEVENS

Stroombron

Gebruik op netstroom AC 230V, 50Hz, wisselstroom

Frequentiebereik

FM band 87.5 – 108 MHz

Specificaties

Luidspreker 1 x Ø4 inch

Uitgangsvermogen 1 x 5W

Aux in ingang Ø3.5 mm

Opmerking over milieubescherming:



Dit product werd van kwalitatief hoogwaardige onderdelen en materialen vervaardigd die opnieuw gebruikt en gerecycled kunnen worden.

Verwijder dit product daarom aan het eind van zijn leven niet met het normale huisvuil. Breng het naar een verzamelplaats voor het recyclen van elektronische en elektrische apparaten. Hierop wordt door dit symbool op het product, in de gebruikershandleiding en op de verpakking gewezen.

Informeer u over verzamelplaatsen bij de gemeentelijke instanties. Help door het recyclen van niet meer te gebruiken producten mee aan de bescherming van het milieu

INHALT

WICHTIGE SICHERHEITSHINWEISE	2
BEDIENELEMENTE	3
SPANNUNGSVERSORGUNG	5
UKW-RADIO	6
AUX-IN-MODUS	8
LOUDNESS UND KLANGSTEUERUNG	8
DATUM UND UHRZEIT EINSTELLEN	9
ALARMEINSTELLUNGEN	10
SPRACHE EINSTELLEN	11
HINWEISE ZUR TELESKOPANTENNE	11
HINTERGRUNDBELEUCHTUNG	11
GARANTIE	11
SPEZIFIKATIONEN	12

WARNUNG! DIE GARANTIE VERFÄLLT, WENN DAS GERÄTEGEHÄUSE GEÖFFNET WIRD ODER VERÄNDERUNGEN AM GERÄT VORGENOMMEN WERDEN!

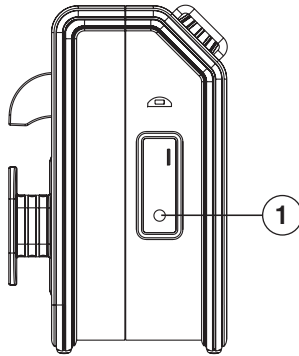
WICHTIGE SICHERHEITSHINWEISE

1. Lesen Sie sich diese Anleitung durch.
2. Bewahren Sie diese Anleitung auf.
3. Beachten Sie alle Warnhinweise.
4. Befolgen Sie die Anweisungen.
5. Benutzen Sie dieses Gerät nicht in der Nähe von Wasser.
6. Nur mit einem trockenem Tuch reinigen.
7. Blockieren Sie keine der Ventilationsöffnungen. Stellen Sie das Gerät entsprechend der Anweisungen auf.
8. Stellen Sie das Gerät nicht in der Nähe von Hitzequellen, wie z. B. Heizungen, Herden oder anderen Geräten die Hitze produzieren (z. B. Verstärker) auf.
9. Wenn Ihr Gerät über einen polarisierten oder geerdeten Stecker verfügt, machen Sie auf keinen Fall diese Sicherheitsfunktion unbrauchbar. Ein polarisierter Stecker hat zwei Flügel, bei denen einer breiter als der andere ist. Verfügt der Stecker über eine Erdung, so ist ein dritter Erdungsflügel vorhanden. Der breite und der Erdungsflügel sind eingebaute Sicherheitsvorrichtungen. Wenn der Netzstecker Ihres Geräts nicht in Ihre Steckdose passt, wenden Sie sich bitte an einen ausgebildeten Elektriker.
10. Verwenden Sie lediglich vom Hersteller angegebene Zubehör.
11. Das Gerät darf nur dann mit Wagen, Gestellen, Dreifüssen, Halterungen oder Tischen verwendet werden, wenn diese vom Hersteller entsprechend angegeben wurden oder zusammen mit dem Gerät verkauft wurden. Wenn ein Wagen benutzt wird, muss darauf geachtet werden, dass das Gerät nicht zusammen mit dem Wagen umkippt und Verletzungen verursacht.
12. Ziehen Sie bei Gewittern oder bei längerer Nichtbenutzung den Stecker aus der Steckdose.
13. Wenden Sie sich im Wartungsfall nur an ausgebildetes Wartungspersonal. Das Gerät muss gewartet bzw. repariert werden, nachdem es in irgendeiner Weise beschädigt wurde, wie z. B. bei Beschädigung des Netzkabels, nachdem Flüssigkeiten über das Gerät gegossen wurden oder Gegenstände in das Gerät gelangt sind, es herunter gefallen ist, nicht auf normale Weise funktioniert oder Feuchtigkeit ausgesetzt wurde.
14. Um Feuer und elektrischen Schlägen vorzubeugen, vermeiden Sie es das Gerät Regen oder Feuchtigkeit auszusetzen.
15. Nicht das Gehäuse öffnen. Es befinden sich im Inneren des Geräts keine Teile die vom Benutzer gewartet werden können.
16. Gegenstände mit offenen Flammen dürfen nicht auf das Gerät gestellt werden.
17. Bei der Verwendung im Freien, sollten Sie das Gerät an regnerischen oder nassen Tagen nur im Batteriebetrieb benutzen, um Stromschläge zu vermeiden. "Wenn das Radio Regen oder Feuchtigkeit ausgesetzt war, so müssen Anschlusskabel und Stecker zur Vermeidung eines elektrischen Schlages vollständig getrocknet werden, bevor dieses mit einer Steckdose verbunden wird."
18. Der Netzstecker muss in der Nähe des Geräts und in Notsituationen leicht erreichbar bleiben. Um das Gerät von der Stromversorgung abzutrennen, brauchen Sie dann nur den Netzstecker aus der Steckdose herauszuziehen.
19. Das Typenschild befindet Sie auf der Unterseite des Geräts
20. Dieses Gerät ist gegen Spritzwasser (IPX4) geschützt.
21. Bei Fehlfunktionen aufgrund elektrostatischer Entladung ziehen Sie vorübergehend den Netzstecker.



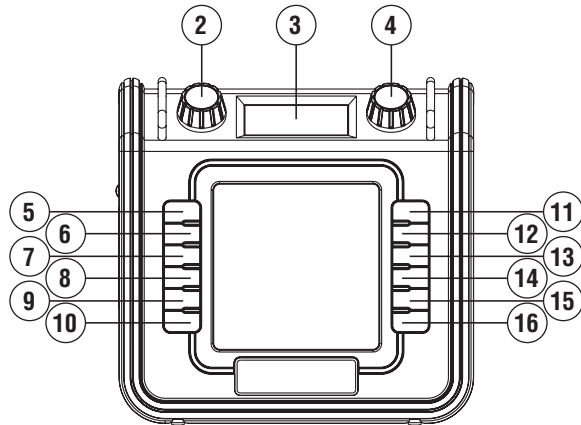
BEDIENELEMENTE

SEITENANSICHT



1. AUX-Eingang

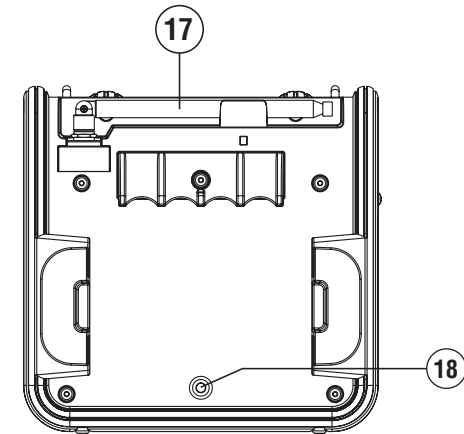
VORDERANSICHT



2. Lautstärke
3. Display
4. Senderwahl
5. Ein/Aus (Stand-by)
6. Signalquelle
7. Menü
8. Info

9. Loudness
10. Tone (Klang)
11. Senderspeicher 1
12. Senderspeicher 2
13. Senderspeicher 3
14. Senderspeicher 4
15. Senderspeicher 5
16. Senderspeicher 6

RÜCKSEITENANSICHT



17. Teleskopantenne
18. Netzkabel

SPANNUNGSVERSORGUNG

Netzbetrieb

Vor dem Anschluss des Netzkabels an der Steckdose vergewissern Sie sich, dass Ihre Netzspannung mit den Angaben auf dem Typenschild übereinstimmt. Das Netzkabel können Sie bei Nichtgebrauch aufwickeln.

Hinweis:

Zum Abtrennen des Geräts vom Stromnetz muss der Netzstecker gezogen werden. Bei Fehlfunktionen aufgrund elektrostatischer Entladung ziehen Sie vorübergehend den Netzstecker.

ERSTE BENUTZUNG

1. Stellen Sie das Gerät eben auf.
2. Ziehen Sie die Teleskopantenne oben auf dem Gerät vorsichtig aus. Richten Sie die Antenne senkrecht aus.
3. Stecken Sie den Netzstecker in die Steckdose. Das Gerät führt eine automatische Sendersuche des UKW-Bandes durch.
4. Nach der Sendersuche werden die ersten 6 starken UKW-Sender gespeichert. Danach begibt sich das Gerät in den Stand-by-Modus.

UKW-RADIO MODUS

Sendersuche

1. Drücken Sie **Ein/Aus**, um das Gerät einzuschalten.
2. Wurde das Radio zuvor bereits benutzt, so stellt es sich auf den zuletzt gehörten Sender ein.
3. Zur Sendersuche drücken Sie den **Drehknopf für die Senderwahl**. Die Sendersuche wird automatisch unterbrochen, wenn ein Sender mit ausreichender Signalstärke gefunden wird.
4. Nach einigen Sekunden wird das Display aktualisiert und zeigt den Sendernamen an, sofern RDS-Informationen empfangen werden.
5. Zum Auffinden weiterer Sender drücken Sie erneut den **Drehknopf für die Senderwahl**.
6. Zur Sendersuche in entgegengesetzter Richtung drehen Sie den **Drehknopf für die Senderwahl** nach rechts (Sendersuche von niedriger Frequenz zu hoher Frequenz) oder nach links (Sendersuche von hoher Frequenz zu niedriger Frequenz) und drücken Sie dann den **Drehknopf für die Senderwahl**.
7. Am Ende des Wellenbandes setzt das Radio die Sendersuche vom entgegengesetzten Ende des Wellenbandes fort.

Manuelle Senderwahl

1. Drücken Sie **Ein/Aus**, um das Gerät einzuschalten.
2. Drücken Sie **Signalquelle**, um den UKW-Radiomodus zu wählen.
3. Drehen Sie den **Drehknopf für die Senderwahl**, um einen Sender zu suchen. Die Frequenzschritte des Radios betragen 50 kHz.
4. Richten Sie die Antenne für besten Empfang aus. Bei ausreichender Signalstärke und Empfang von RDS-Informationen wird der Sendername angezeigt.
5. Am Ende des Wellenbandes setzt das Radio die Sendersuche vom entgegengesetzten Ende des Wellenbandes fort.

Sender speichern

Das UKW-Radio hat 6 Senderspeicher.

1. Drücken Sie **Ein/Aus**, um das Gerät einzuschalten.
2. Drücken Sie **Signalquelle**, um den UKW-Radiomodus zu wählen.
3. Stellen Sie den gewünschten Sender ein.
4. Halten Sie die Taste des gewünschten **Senderspeichers** gedrückt, bis das Radio einen Signalton abgibt und „Gespeichert“ angezeigt wird.
5. Wiederholen Sie die Schritte 3 und 4 für weitere Senderspeicher.
6. Gespeicherte Sender können überschrieben werden.

Senderspeicher aufrufen

1. Drücken Sie **Ein/Aus**, um das Gerät einzuschalten.
2. Drücken Sie **Signalquelle**, um den UKW-Radiomodus zu wählen.
3. Drücken Sie die Taste für den gewünschten Senderspeicher, im Display werden Frequenz und Senderspeichernummer angezeigt.

RDS-Informationen

RDS (Radio Data System) ist ein Informationssystem zur Übertragung von Textnachrichten auf einem UKW-Sender. Bei Empfang eines RDS-Senders und ausreichender Signalstärke wird der Sendername angezeigt. Es kann einen Moment dauern, bis die RDS-Informationen verfügbar sind.

RDS-Informationen aufrufen

Beim Hören eines UKW-Senders mit RDS-Informationen drücken Sie mehrfach **Info**, um die Informationen zu durchlaufen. Diese Funktion haben Sie nur bei klarem Empfang mit ausreichender Signalstärke.

- Programmservice (PS): Anzeige des Sendernamens.
- Programmtyp (PTY): Anzeige des Programmtyps, beispielsweise Pop, Klassik, Nachrichten usw.
- Radiotext (RT): Anzeige von Meldungen als Lauftext.
- Datum und Uhrzeit: Anzeige von Datum und Uhrzeit
- Signalstärke (SGLV): Anzeige der Signalstärke.

AUX-IN-MODUS

Auf der Seite des Geräts befindet sich ein 3,5 mm Stereo-AUX-Eingang unter einer Gummikappe, an dem Sie ein externes Audiogerät wie MP3-Player oder CD-Player anschließen können (gehört nicht zum Lieferumfang).

1. Schließen Sie ein externes Gerät am AUX-Eingang an.
2. Drücken Sie **Signalquelle**, um AUX zu wählen. Im Display wird „AUX-IN“ angezeigt.
3. Starten Sie die Wiedergabe auf dem externen Player.
4. Stellen Sie die Lautstärke für Player und Gerät ein.
5. Nach Gebrauch schließen Sie wieder die Gummikappe, damit kein Staub und keine Feuchtigkeit in das Gerät eindringen.
6. Liegt länger als 15 Minuten kein AUX-Eingangssignal an, so schaltet sich das Gerät aus. Während der letzten 5 Minuten wird im Display ein Countdown angezeigt.

Hinweis: Benutzen Sie den AUX-Eingang nicht im Regen oder in feuchter Umgebung, damit keine Feuchtigkeit in das Gerät eindringt. Halten Sie in diesem Fall die Gummikappe geschlossen.

LOUDNESS FUNKTION UND KLANGSTEUERUNG (BÄSSE/HÖHEN)

Die Loudness-Funktion ermöglicht einen Ausgleich für tiefe und hohe Frequenzen. Der Effekt ist besser hörbar bei geringer Lautstärke (dynamische Loudness).

1. Drücken Sie die **Loudness-Taste**, um die Loudness zu aktivieren; im Display wird „Loudness ein“ angezeigt.
2. Drücken Sie erneut die **Loudness-Taste**, um die Loudness zu deaktivieren; im Display wird „Loudness aus“ angezeigt.

Der Klang kann wie folgt eingestellt werden.

1. Drücken Sie die **Tone-Taste** (Klang).
2. Drücken Sie den **Drehknopf für die Senderwahl**, um zwischen Bässen (Bass) und Höhen (Treble) umzuschalten und drehen Sie den Knopf dann nach links oder rechts, um den jeweiligen Pegel zwischen -5 und +5 einzustellen.

DATUM UND UHRZEIT EINSTELLEN

1. Uhrzeit und Datum werden automatisch über den RDS-Sender synchronisiert (sofern verfügbar, siehe „RDS-Informationen“).
2. Zur manuellen Einstellung von Uhrzeit und Datum schalten Sie das Gerät mit **Ein/Aus** aus.
3. Halten Sie den **Drehknopf für die Senderwahl** für ca. 12 Sekunden gedrückt, bis die Uhrzeit blinkt.
4. Drehen Sie den **Drehknopf für die Senderwahl**, um die Einstellung vorzunehmen, dann drücken Sie den **Drehknopf für die Senderwahl**, um jeden Schritt der Einstellung zu bestätigen.
5. Wählen und bestätigen Sie „Synclock Ein“, wenn die Uhrzeit über das RDS-Signal synchronisiert werden soll. Wählen und bestätigen Sie „Synclock Aus“, wenn die Aktualisierung der Uhrzeit über das RDS-Signal deaktiviert werden soll und Sie Datum und Uhrzeit lieber selbst einstellen.

Hinweis: Beim Ziehen des Netzsteckers geht die Zeiteinstellung verloren und muss erst wieder durch das RDS-Signal beim nächsten Einschalten des Radios im UKW-Modus empfangen werden. Menüeinstellungen und Senderspeicher befinden sich im internen Speicher und gehen beim Ziehen des Netzsteckers (oder bei Netzausfall) nicht verloren.

ALARMEINSTELLUNGEN

Die Alarmeinstellungen können nur im ausgeschalteten Zustand geändert werden (Stand-by-Modus). Wird für 5 Sekunden keine Taste gedrückt, so verlässt das Gerät das Alarmeinstellungsmenü und die Einstellungen werden verworfen.

Weckalarm einstellen (nur im Stand-by-Modus)

1. Drücken Sie einmal **Menü** und drehen Sie den **Drehknopf für die Senderwahl**, bis „Alarm einstellen“ angezeigt wird.
2. Drücken Sie den **Drehknopf für die Senderwahl** zur Eingabe; die Stunden blinken im Display.
3. Drehen Sie den **Drehknopf für die Senderwahl**, um die Stunden der Weckzeit einzustellen.
4. Drücken Sie den **Drehknopf für die Senderwahl** zur Bestätigung; die Minuten blinken.
5. Drehen Sie den **Drehknopf für die Senderwahl**, um die Minuten der Weckzeit einzustellen.
6. Drücken Sie den **Drehknopf für die Senderwahl** zur Bestätigung.
7. Im Display wird „Alarmquelle“ angezeigt. Wählen Sie zwischen „Summer“ und „UKW Radio“. Drehen Sie den **Drehknopf für die Senderwahl** zur Auswahl. Bei Auswahl von „UKW Radio“ werden Sie mit dem zuletzt eingestellten Sender geweckt.
8. Anschließend wird „Alarmlautstärke“ angezeigt. Drehen Sie den **Lautstärkeregler**, um die Alarmlautstärke einzustellen.
9. Drücken Sie den **Drehknopf für die Senderwahl** zur Bestätigung.
10. Das Alarmsymbol (Glocke) wird links neben der Uhrzeit angezeigt.

Weckalarm ein- und ausschalten (nur im Stand-by-Modus)

1. Zum Einschalten des Weckalarms halten Sie **Info** gedrückt, das Alarmsymbol (Glocke) wird links neben der Uhrzeit angezeigt. Zum Ausschalten halten Sie erneut **Info** gedrückt.
2. Zum Ausschalten des Weckalarms drücken Sie **Ein/Aus**.

SPRACHE EINSTELLEN

Mit Menü und dann dem Drehknopf für die Senderwahl können Sie die Sprache einstellen, wenn im Display „Sprache“ angezeigt wird. Dann drehen Sie den Drehknopf für die Senderwahl, um die Sprachen zu durchlaufen; drücken Sie den Drehknopf für die Senderwahl, um Ihre Sprache zu wählen.

HINWEISE ZUR TELESKOPANTENNE

Die Antenne ist ein langer teleskopischer Metallstab.

Die Antenne ist NICHT flexibel und kann nicht gebogen werden, daher sollte sie vorsichtig behandelt werden.

Bei Benutzung in staubiger Umgebung reinigen Sie die Antenne von Zeit zu Zeit mit einem trockenen Tuch, um sie in einem guten Zustand zu halten. Bei Benutzung in feuchter Umgebung sollten Sie nach dem ersten Reinigen etwas Öl auftragen (z.B. WD40), um Rost und Korrosion zu vermeiden und einen normalen Betrieb zu gewährleisten.

Für das Gerät ist eine flexible Kunststoffantenne erhältlich, die Sie bei Ihrem Perfectpro-Fachhändler als Zubehör erwerben können.

Perfectpro Artikelnummer: KA2

HINTERGRUNDBELEUCHTUNG

Die Hintergrundbeleuchtung des Displays schaltet sich jeweils nach Tastendruck ein. Sie schaltet sich nach 8 Sekunden wieder automatisch aus.

GARANTIE

Das Gerät hat eine eingeschränkte Garantie von 2 Jahren.

WARNUNG! DIE GARANTIE VERFÄLLT, WENN DAS GERÄTEGEHÄUSE GEÖFFNET WIRD ODER VERÄNDERUNGEN AM GERÄT VORGENOMMEN WERDEN!

TECHNISCHE DATEN

Stromnetzanforderungen

Stromversorgung AC 230 V ~ 50 Hz

Frequenzbereich

UKW 87,5 - 108 MHz

Schaltkreismerkmale

Lautsprecher x Ø 4 Zoll

Ausgangsleistung 1 x 5 W

Aux-Eingang Ø 3,5 mm

Hinweis zum Umweltschutz:



Dieses Produkt wurde aus hochwertigen Teilen und Materialien, die wiederverwendet und recycelt werden können, hergestellt.

Werfen Sie deshalb das Produkt am Ende seiner Lebensdauer nicht in den normalen Hausmüll. Bringen Sie es zu einer Sammelstelle zum Recycling von elektrischen und elektronischen Geräten. Dies wird durch dieses Symbol auf dem Produkt, in der Bedienungsanleitung und auf der Verpackung angegeben.

Bitte informieren Sie sich über Sammelstellen bei Ihren örtlichen Behörden. Schützen Sie die Umwelt durch das Recycling von Altgeräten.

